

# RALLY DIY Fencing System

## Installation

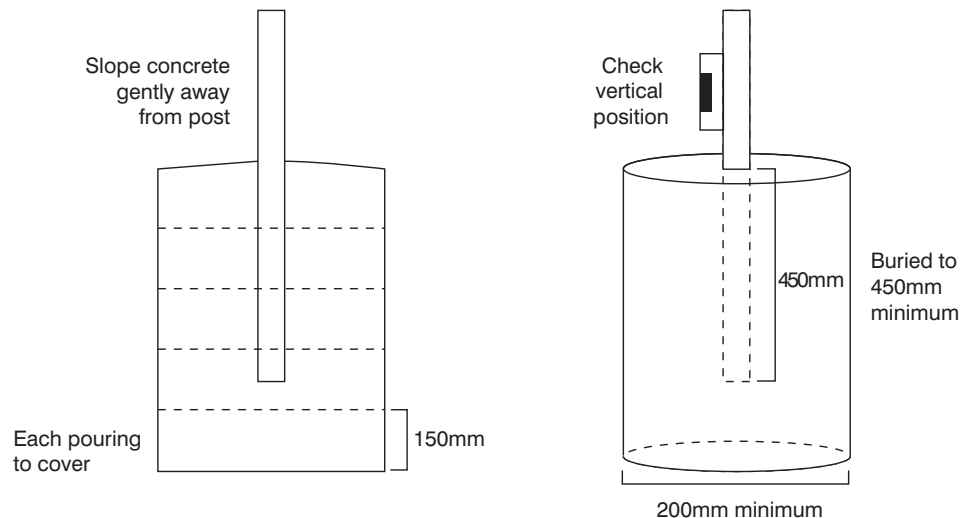
The *Rally DIY Fencing System* is designed for easy DIY installation.

To install the fence, posts must be anchored securely. Depending on the type of surface, different methods should be used (see instructions below).

### Post installation on soil surface

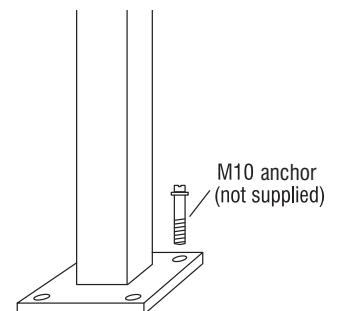
Dig a hole in the soil using a hole digger. The hole should be a minimum of 700mm deep and 200mm in diameter. This may vary with soil condition. For posts at both ends of the fence, it is recommended to provide 100mm extra in depth.

Position the post in the centre of the hole and fix the posts at the required height and keep vertical. Check with a spirit level. Pour the prepared concrete mix into the hole at about 150mm deep each pour. Use a pole to agitate the concrete to get rid of air bubbles. Repeat until the hole is filled to ground level. The final pour should be filled so that the surface slopes slightly downward away from the post. Make sure the post is buried at least 450mm deep into the concrete.



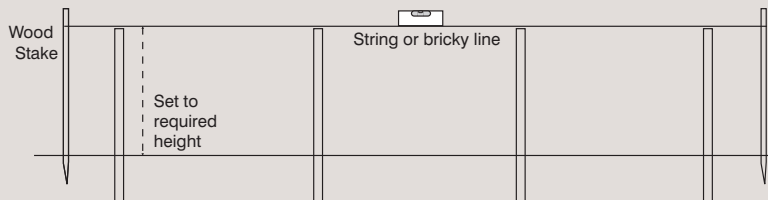
### Post installation on concrete surface

The post for use on concrete surfaces has a square plate welded at one end. Each plate has 4 holes for anchoring. 4 holes are drilled into the concrete and an M10 anchor will be used to secure the plate firmly on the ground. A total of 4 anchors are needed for each post.



### Useful hints on post installation

1. Use a spirit level to ensure each post is vertical.
2. To make sure each post is planted to exactly the same height use a length of string or brickly line. Secure the string to the required height using a wooden stake or other posts, then check the level.



3. It is important to measure the distance between the stakes or posts accurately to avoid problems in panel installation.

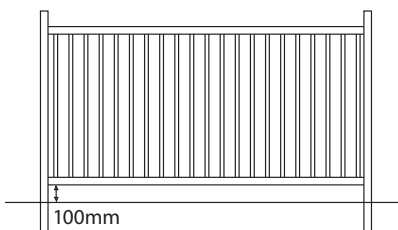
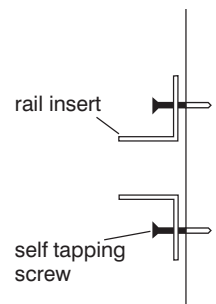
### Panel Installation

Panels are fixed to the posts using a variety of methods.

#### a. Using a rail insert

The rail insert is fixed to the post by self-tapping screws (supplied). A power screwdriver will be very handy for this job.

A rail insert has to be used for both ends of each rail – each panel will require 4 rail inserts. The Manhattan style panel requires 6 inserts.



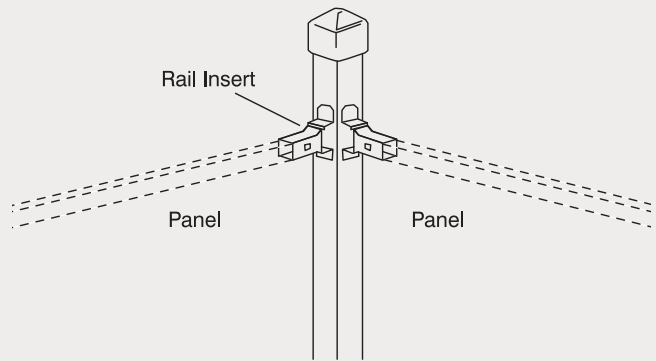
The recommendation is to leave 100mm clearance at the bottom for Miami, Florida, Washington and Manhattan styles. For Boston and California styles the clearance can be very small. This is not a hard and fast rule and variations can be made. Please note that if the bottom clearance is too big, the panel will not align well with the top of the post.

**Special note:** For Miami and Florida panels 1200m high. In order to meet the requirement for use as a swimming pool fence in accordance with AS1926.1-1993, the ground clearance should be a minimum of 50mm and maximum of 100mm.

# RALLY DIY Fencing System

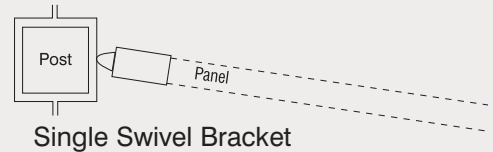
## b. Installing panels at 90° using rail inserts

Two rail inserts can be fixed at adjacent sides of a post to run two panels at 90° to each other.

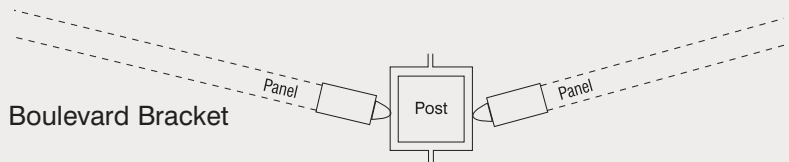


## c. Installing fences at angles other than 90°

You can use either a single swivel bracket or a double swivel boulevard bracket illustrated below.



Double Swivel Boulevard Bracket

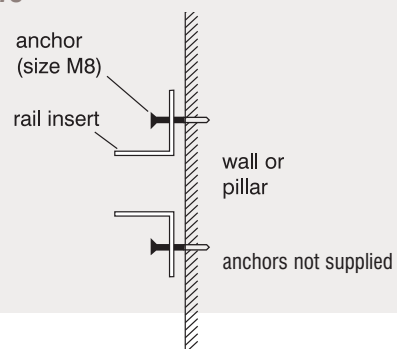


**Special Note:** In order to comply with pool fencing regulations, when using single or double swivel brackets, installers must ensure that the gap between the fence panel and posts does not exceed 100mm. This gap will close as the angle of the swivel bracket is increased, or alternatively the ends of the panels will need to be trimmed.

Rally fork latches and post/frame hinges do not comply with pool fencing regulations. Specialist self-closing hardware is available (please see page 18).

## d. Installing panels to walls or pillars

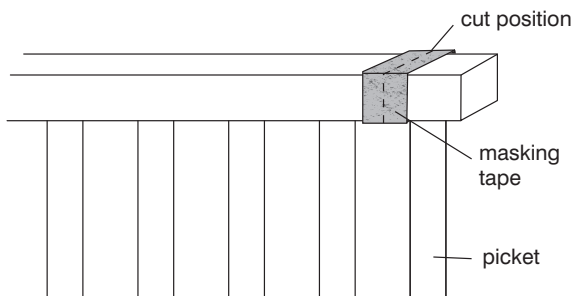
Panels can be fixed directly to walls or pillars using a rail insert. Drill a hole into the wall and use an anchor (size M8) to fix the rail insert to the wall or pillar.



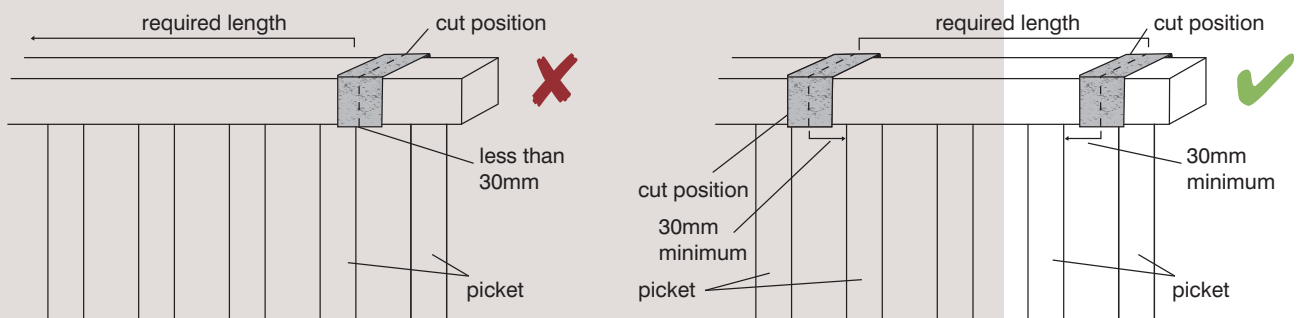
### e. Cutting panels to fit

All panels are 2350mm in length. If a shorter length is required the panels can be cut to fit.

- Accurately measure and mark the cut position.
- Put masking tape around the rail at the cut position.
- Use a hand saw with steel cutting blades or an electric saw with diamond cutting blades to provide a clean edge.
- Paint the cut edge to protect it from rusting.



**Special note:** The distance between pickets is 100mm from centre to centre. Sometimes the cut position can be too near a picket, which may cause difficulty in panel installation. Leave a distance of at least 30mm between the cut edge and the first picket to fit the rail insert. If this cannot be done, then cut both ends of the panels to achieve the required result.

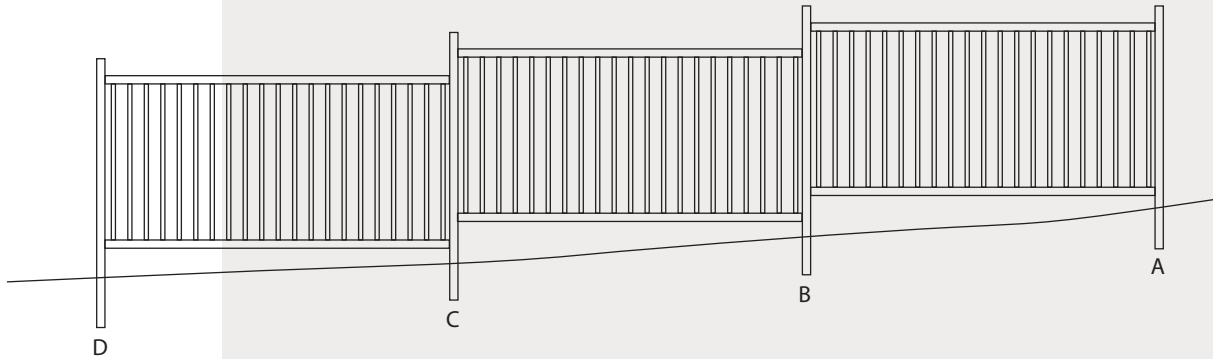


### Cutting service

A cutting service is available for an additional charge. However, a full panel has to be purchased and the required length specified. Please refer to the price list for the cost of this cutting service. We do not accept responsibility for incorrect information on the cut position supplied on the order form.

# RALLY DIY Fencing System

## Installation on a slope



If one end of the fence is higher than the other end, the panels can be installed in a step pattern.

Depending on the gradient of the slope, longer posts may be required for the lower positions.

For example: for a fence of 1500mm, post A will be the standard matching post for the 1500mm panel – but posts B, C, and D may need to be longer posts, eg. using posts for a 1800mm fence.

If the length of the longer posts is too long part of it can be cut, but ensure that the part below ground level in concrete is at least 450mm long.

A long post of 2650mm is available for installation of 1800mm high panels in the step pattern. In the above diagram, post A is the standard matching post for a 1800mm panel, but posts B, C and D are longer 2650mm posts.

### Driveway gate installation

Special 100mm x 100mm posts are provided for driveway gates.  
These posts must be concreted into the ground.

The recommended depths in concrete are:

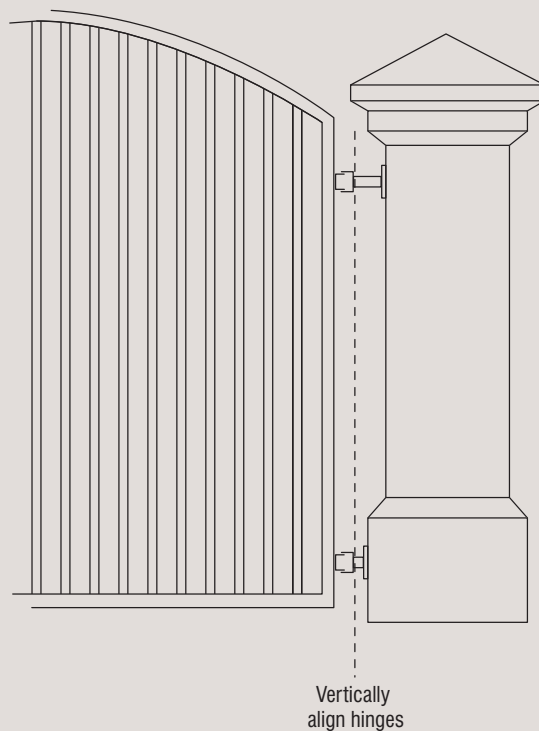
1200mm gate 450mm

1500mm gate 550mm

1800mm gate 750mm

The gates will be fixed to the posts, pillar or wall using the driveway gate hinges.

If the gate is to be fixed to pillars, it may be necessary to use different size upper and lower hinges (see illustration below).



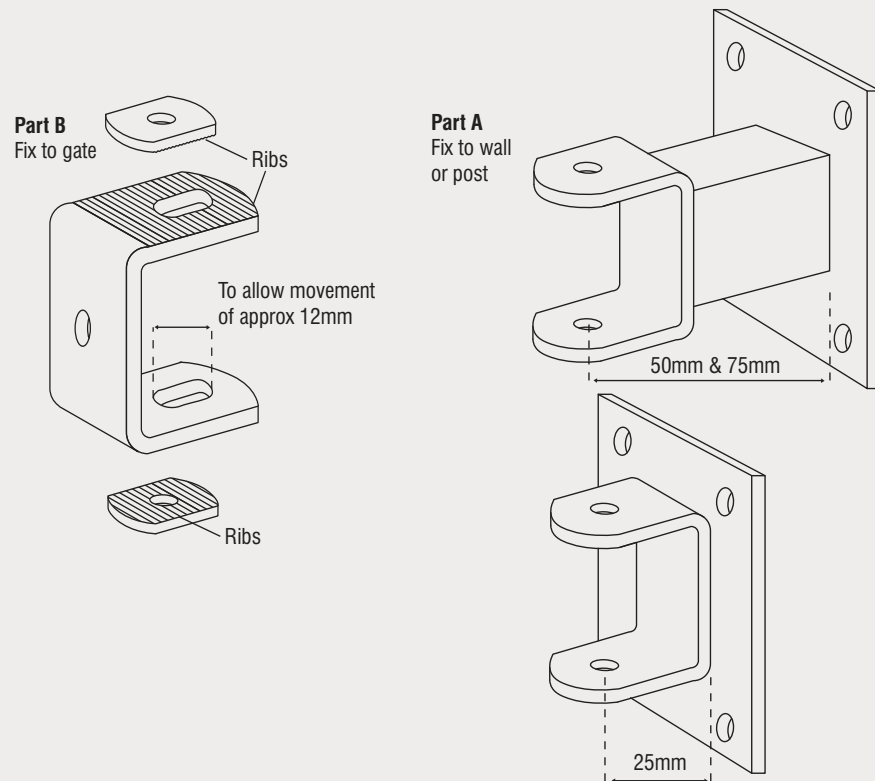
# RALLY DIY Fencing System

## Driveway gate installation (contd.)

Part A is fixed to a post, pillar or wall - Part B is fixed to the gate (see illustration pg 11).

There is an oval hole in Part B, and together with two washers with ribs you can make fine adjustments to ensure the gate is accurately fixed in a vertical position.

These hinges come in three sizes: 25mm, 50mm and 75mm (distance from back plate to centre of bolt).



Hinges will be supplied with matching screws for fixing to posts.

For fixing to pillars and walls, anchors should be used (anchors not supplied).

**Handy Installation Tips:** Distance between Post and Driveway Gate using:

Driveway Gate Hinge 25mm - 60 - 65mm

Driveway Gate Hinge 50mm - 82 - 89mm

Driveway Gate Hinge 75mm - 108 - 113mm

Driveway Gate Latch - 20mm (if used on passage gates 15-20mm)

# Planning & Design tips

Designing your fence is easy. Using the following tips will help you accurately select all the panels, gates and accessories you will need to complete your fencing project.

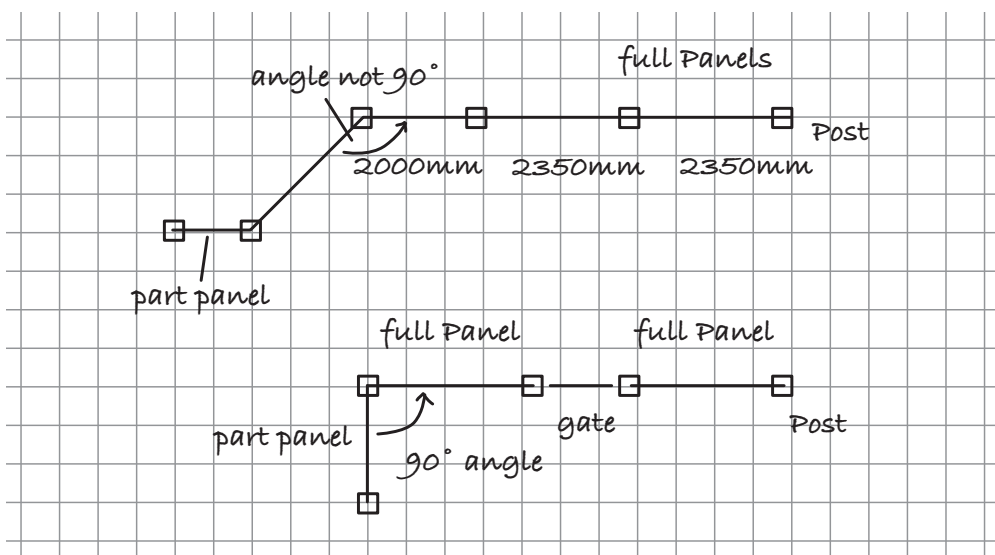
## Council regulations

Councils may have different regulations regarding the type of fences you can install. Please check with your local council to ensure that the fence will meet their regulations.

## Designing your fence

Each panel is 2350mm in length and, together with one post of 50mm square, the distance covered will be 2400mm (approximately 8ft).

Use a graph paper to start the planning and draw a scale diagram showing the position and the number of panels and posts required. If a full size panel cannot be used, calculate the exact length to facilitate cutting. If the fence has to run at angles not 90° take note of the accessories (swivel bracket etc.) required.



The Rally fencing system will allow the fence to be constructed in a very flexible manner. The fence can run in a straight line, or incorporating a 90° turn, or at any angle not 90 degrees. This flexibility will not involve difficult customising and the range of accessories will make the job very simple.

# RALLY DIY Fencing System

## Swimming pool fencing

Miami and Florida style in 1200mm height is recommended for use as a swimming pool fence. The ground clearance should be a minimum of 50mm and a maximum of 100mm.

Passage gates for swimming pool fence should be opened away from the pool enclosure and self-closing hinges and child-proof latches are available to ensure safety.

For other detail requirements please refer to Australian Standard AS1926-1-1993

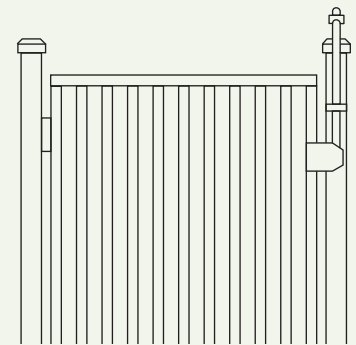
## Choice of styles

There are five styles with matching passage gates and driveway gates. (Florida has passage gate only) The choice of style should be made on the basis that it will complement the property and the surrounding area.

## Latches and hinges

The Rally fencing system has gate latches and hinges as accessories. Other types of gate latches and hinges available on the market can also be used.

To meet safety requirements for swimming pool fencing, self-closing hinges must be used to ensure the gate is kept closed. Also, a child-proof latch has to be fixed for safety.



Self-closing Hinges



Child-proof locks

**Handy Installation tips:** Distance between post and gate using:  
Post/Frame Hinges - 53mm  
Fork latch - 58mm  
Self Closing Hinges - 10-15mm  
Child-proof locks - 10-37mm  
(19mm is ideal)